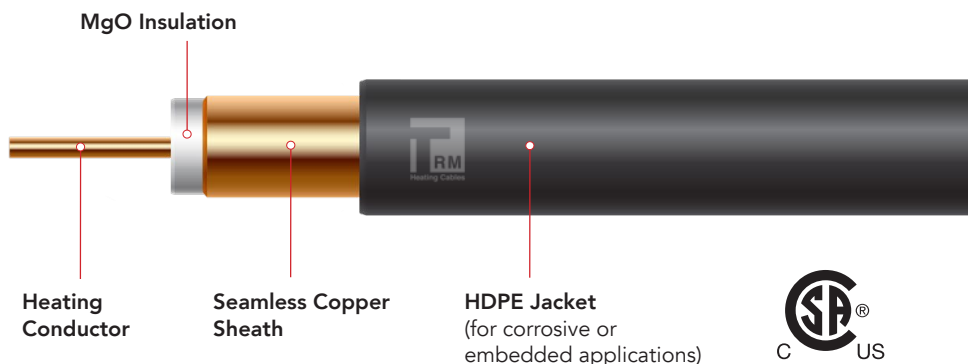


MINERAL INSULATED COPPER HEATING CABLES



KEY FEATURES

- ✓ PERFECT FOR SNOW MELTING IN CONCRETE/ASPHALT
- ✓ USE ON INSTALLATIONS OF 120 – 600 VOLTS
- ✓ RANGE OF DESIGNS, RESISTANCES, AND WATTAGES
- ✓ EASY TO FAULT LOCATE AND REPAIR



DESCRIPTION

Thermal Resources Management brand mineral insulated (MI) copper heating cables are ideal for embedded applications, such as snow melting in concrete or asphalt slabs. Cables are manufactured with a copper sheath and an HDPE jacket, yielding a durable yet flexible cable, allowing for easy installation. Our cables are CSA approved and are rated for applications including, but not limited to: embedded snow melting applications, frost heave prevention, underslab heat loss replacement, comfort floor warming, animal pen heating, pipe tracing, trench drain de-icing, etc.

Designed to yield up to a maximum of 30 watts per linear foot of cable, the Metal Sheathed MI Cable is the most durable heating cable available. The cables are manufactured with HDPE jacketing to protect them from corrosives in embedded applications, and are factory prepared as pre-terminated heating units, complete with cold leads. Standard heating element designs are carried in stock with FAST DELIVERY to meet engineering specifications.

TECHNICAL SPECIFICATIONS

Sheath Material	Solid Copper
Voltage	120V – 600V rated • Cables to be designed for use on project specific available voltage
Insulation Material	MgO-Highly compressed Magnesium Oxide
Conductors	Single conductor configuration
Nominal Cable Resistance at 20°C	0.91 ohms per foot – 0.00452 ohms per foot
Jacketing Material	High Density Polyethylene (HDPE)
Cold Leads	AWG size determined to reflect electrical code requirements: 14 to 4 AWG sizes available and designed to suit specific cables • Cold leads come at a standard 7' to 15' lengths, but cold leads can be extended to longer lengths to suit your application • Jacketed cold leads come with PVC shroud
Glands	Brass NPT (1/2" standard)



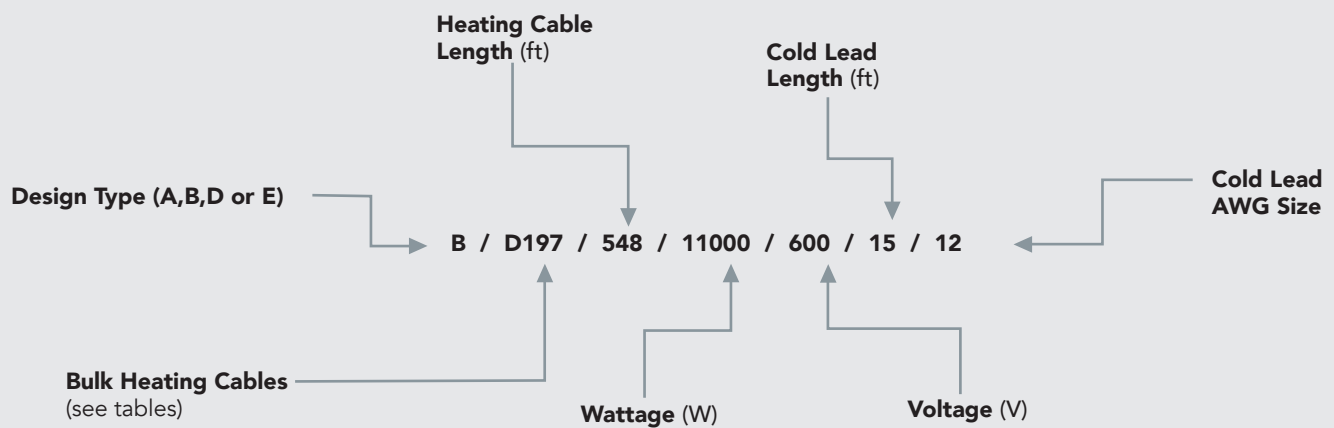
TRM CUSTOM COPPER MI CABLES

*Custom cable designs using these parts available upon request

HEATING CABLE BULK REFERENCE #	OHMS RESISTANCE PER FOOT	MAX VOLTAGE
D3000	0.91	600
D2000	0.61	600
D1280	0.39	600
D984	0.3	600
D656	0.2	600
D492	0.15	600
D345	0.105	600
D262	0.08	600
D197	0.06	600
D131	0.04	600
D98	0.03	600
D66	0.02	600
D33	0.01147	600
D21	0.00730	600
D13	0.00452	600

AWG SIZE	MAX AMPS PER CEC
#14	25
#12	20
#10	40
#8	70
#4	135

ORDERING MATRIX



MI-HEAT RANGE OF 600 VOLT RATED MI COPPER HEATING CABLES

CSA Approved - Class 287201, CAN/CSA-C22.2 No.130

COMMON MODEL #	TRM MODEL #	LENGTH (FT)	WATTAGE ON VARIOUS VOLTAGES				
			120V	208V	240V	347V	600V
Grace	MI-Heat-220/120	108	220	650	875	—	—
Gary	MI-Heat-425/120	55	425	—	—	—	—
Parry	MI-Heat-2000/240	140	500	1500	2000	—	—
Host	MI-Heat-1600/208	68	535	1600	—	—	—
Puck	MI-Heat-590/120	40	590	—	—	—	—
Union	MI-Heat-2100/240	264	530	1561	2100	—	—
Emma	MI-Heat-2300/208	95	765	2300	—	—	—
Verna	MI-Heat-3200/240	177	800	2400	3200	—	—
Lisa	MI-Heat-1100/120	66	1100	—	—	—	—
Myra	MI-Heat-3100/208	132	1030	3100	—	—	—
Rona	MI-Heat-4000/240	240	1000	3000	4000	—	—
Betty	MI-Heat-5200/240	280	1300	3900	5200	—	—
Ella	MI-Heat-6000/240	320	1500	4500	6000	—	—
Ida	MI-Heat-5500/208	260	1830	5500	—	—	—
Irma	MI-Heat-7500/240	375	1920	5700	7500	—	—
Nancy	MI-Heat-7000/208	310	2300	7000	—	—	—
Magna	MI-Heat-9000/240	550	2300	6800	9000	—	—
Juno	MI-Heat-12000/240	630	3000	9000	12000	—	—
Susan	MI-Heat-17000/240	717	4300	13000	17000	—	—
Ice	MI-Heat-4100/600	225	—	—	660	1375	4100
Sleet	MI-Heat-5800/600	310	—	—	930	1950	5800
Snow	MI-Heat-8000/600	428	—	—	1280	2675	8000
Drift	MI-Heat-11000/600	548	—	—	1750	3700	11000

WARRANTY

We believe in the superior quality of our TRM MI cable products. Our standard warranty is 2 years from the date of purchase. Contact us regarding extended warranty terms and conditions.

TRM is a Canadian-owned leading designer, and manufacturer of premium heating cable and systems in the commercial, industrial, and residential sectors.

GET IN TOUCH  905 940 4737  info@trmheatingcables.com  www.trmheatingcables.com

